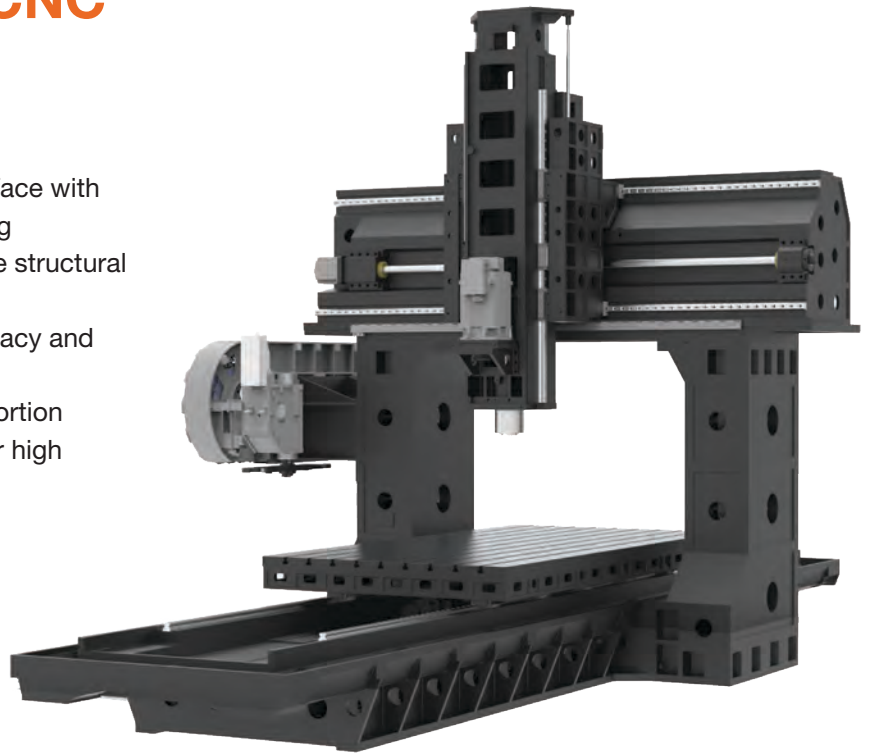




# CNC gantry mill VF-Mill Duo CNC

Moving table  
63x51" to 165x130"

- Extra wide column to increase connection surface with the crossbeam to avoid vibration during cutting
- Cast iron is tempered for stress relief to ensure structural stability without deformation
- C3 class ballscrews ensures the highest accuracy and durability
- Pre-tension on all axes minimizes thermal distortion
- Roller type linear guideway, which offers super high rigidity and loading capacity



## Standard configuration

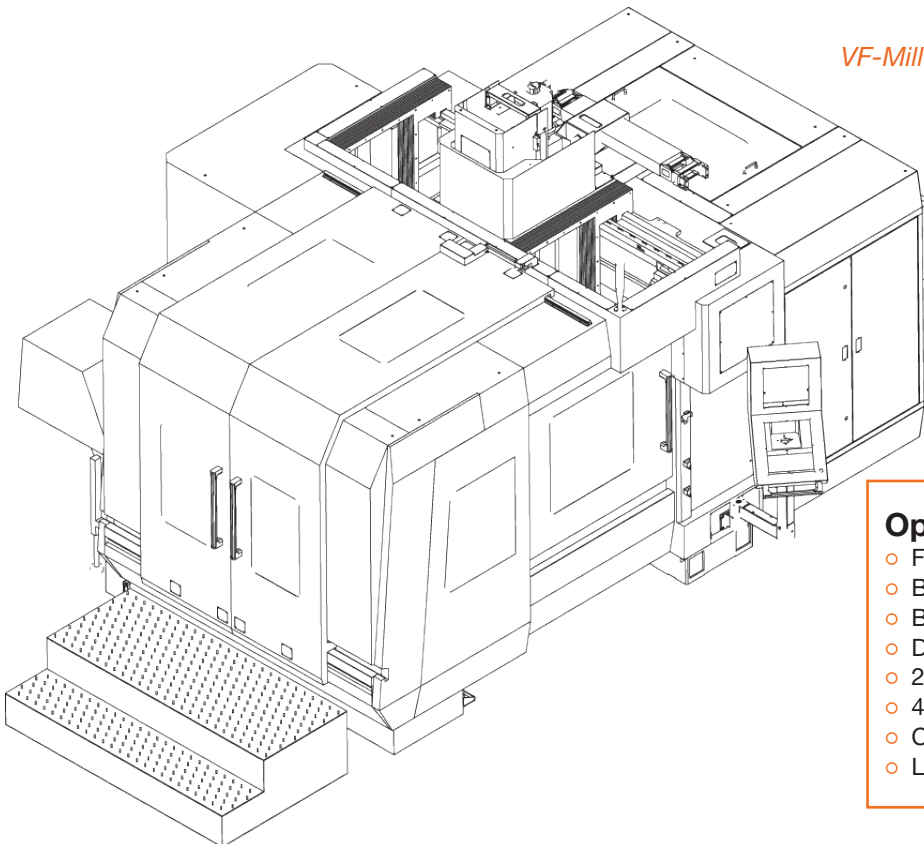
- Semi enclosed splash guard
- Air-conditioned electrical cabinet
- Rigid tapping
- Chip conveyor (two screw type and one chain type)
- Ethernet, CF card and USB interface
- Automatic lubrication system
- Coolant system
- Spindle oil cooler
- LED working lamp
- End of program light
- Electronic handwheel (MPG)
- Tool box
- Leveling bolts and blots
- Coolant gun
- Air gun
- User Manual

Specifications		VF-Mill Duo			
		2015	3116	4112	1613 HS
		79" x 60"	130" x 106"	165" x 130"	63" x 51"
Table size	mm	2100x1200 (83x47")	3300x1700 (130x67")	4000x2400 (157x94")	1700x1200 (67x47")
T-slot (width x number x distance)	mm	22x7x150	22x9x180	28x11x200	18x7x150
Max. load	kg	4000 (8,810 lbs)	10000 (22,050 lbs)	12000 (26,450 lbs)	3000 (6,610 lbs)
Travels	Axis travel (x/y/z)	2000/1500/800 (79/60/31.4")	3300/2700/1000 (130/106/39")	4200/3300/1200 (165/130/47")	1600/1300/600 (63/51/24")
Spindle nose to table	mm	170-970 (6.7-38")	200-1200 (7.9-47")	300-1500 (12-59")	200-800 (8-31")
Distance between columns	mm	1500 (59")	2000 (79")	2800 (110")	1380 (54")
Spindle speed	rpm	6,000			12,000
Power	kW	18.5 (25 Hp)	45 (60 Hp)		/
Rapid feed (x/y/z)	m/min	15/15/12 (590/590/472"/min)	24/24/30 (945/945/1181"/min)	20 (787"/min)	20 (787"/min)
Cutting speed	mm/min	1-12000 (.039-472"/min)			
<b>ACCURACY (Full travel)</b>					
Positioning accuracy (w/ linear scales) (X/Y/Z)	mm	/	0.015/0.015/0.010 (.0006/.0006/.0004")	0.020/0.015/0.010 (.0007/.0006/.0004")	.010 (.0004")
Positioning repeatability (w/ linear scales) (X/Y/Z)	mm	/	0.010/0.010/0.006 (.0004/.0004/.0002")	0.015/0.010/0.006 (.0006/.0004/.0002")	.008 (.0003")
Dimensions (L/W/H)	mm	7090x4120x4250 (279x162x167")	10000x5700x5400 (394x224x213")	10500x6320x5850 (413x249x230")	4890x4110x3650 (192x162x144")
Weight	kg	19000 (41,800 lbs)	30000 (66,100 lbs)	52000 (114,600 lbs)	16000 (35,200 lbs)
Item No.		6430006	6430007	6430008	6430009

\*The above specifications are subject to change without prior notice. No liability for printing mistakes. Machine may be shown with optional equipment.



*VF-Mill Duo 1613 HS*



**Optional configuration**

- Fully enclosed splash guard with top roof
- Built-in spindle 12000RPM, HSK A100
- Built-in spindle 20000 rpm, HSK A63
- Direct drive spindle 15000 rpm
- 24 pockets arm tool changer
- 40/60 pockets chain type tool changer
- CTS coolant through spindle
- Linear scales

\*The above specifications are subject to change without prior notice. No liability for printing mistakes. Machine may be shown with optional equipment.