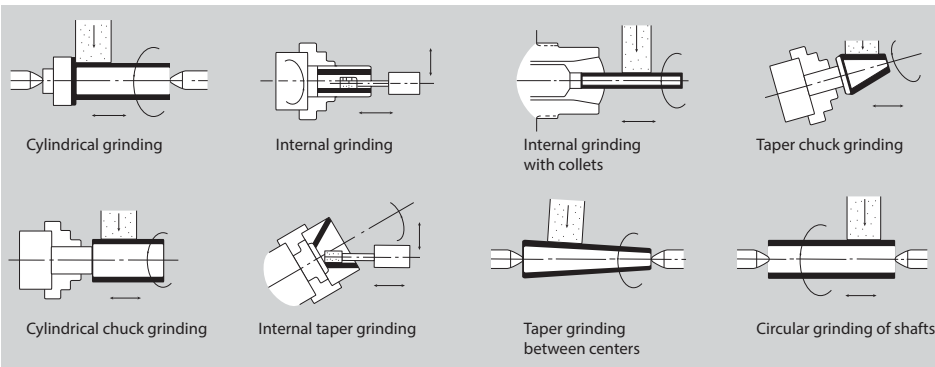
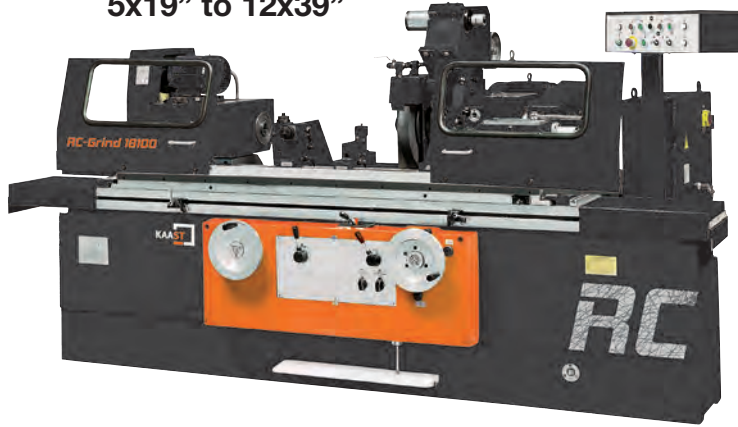




ID/OD cylindrical grinder

RC-Grind

5x19" to 12x39"



- For external and internal grinding of cylindrical and tapered surfaces
- Hydraulic table feed, infinitely adjustable
- Machine table and spindle swivel for tapered grinding
- Swivel grinding head with internal grinding unit
- Cross feed of the grinding wheel is carried out hydraulically or manually
- The hydraulic tailstock is actuated using the foot pedal
- Precisely aligned spindle head and a sturdy table for best results in different applications
- Machine table swivels in 2 directions
- Table movement is carried out manually by hand wheel or automatically via the hydraulic feeder in the longitudinal direction
- Table feed rate is infinitely adjustable
- A delay can be adjusted into the end of the table movement
- With internal grinding unit

Specifications		RC-Grind		
		1050 5" x 19.5"	18100 12.5" x 39"	
Center height	mm	100 (3.9")	180 (7")	
Grinding capacity	mm	Ø125 (4.9")	Ø320 (12.5")	
Max. grinding length	mm	500 (19.5")	1000 (39")	
Max. workpiece weight	kg	35 (77 lbs)	150 (330 lbs)	
Grinding wheel dimensions (OD/width/ID)	mm	Ø300x40xØ127 (12x1.5x5")	Ø400x50xØ203 (16x2x8")	
Table swivel	deg	±9°	+3°-7°	
Table feed	m/min	0.05-4.5 (2-17.5"/min)	0.1-4 (4-156"/min)	
Transverse feed increment	mm	0.0025 (0.0001")	0.0025 (0.0001")	
Internal grinding attachment				
Grinding diameter	mm	10-40 (0.4-1.5")	Ø30-100 (1.1-3.9")	
Grinding depth	mm	50 (2")	125 (4.9")	
Spindle speed	rpm	17,000	10,000	
Grinding spindle	Max. swivel angle	deg	180°	±90°
	Max. transverse travel	mm	115 (4.5")	245 (9.5")
	Spindle speed	rpm	2200	1,670
	Rapid transverse travel	mm	15 (0.6")	50 (2")
Headstock	Taper		MK 4	MT 4
	Speed	rpm	(6) 300-1040	25-220
	Swivel range	deg	-10°/+90°	±30°
Tailstock	Taper		MK 2	MT 4
	Travel	mm	13 (0.5")	30 (1.1")
Dimensions (L/W/H)	mm	2100x1450x1600 (82x57x63")	3605x1810x1515 (140x70x59")	
Weight	kg	1800 (3,960 lbs)	3700 (8,140 lbs)	
Item No.		3100001	3100007	

Standard configuration

- 3-jaw chuck
- Internal grinding unit
- Steady rest (18100)
- Coolant system
- Dressing device
- Balancing stand
- Balancing arbor
- Grinding wheel flange (standard)
- Grinding wheel (standard)
- Diamond dresser
- Backsplash guard
- Tool kit
- Operation manual