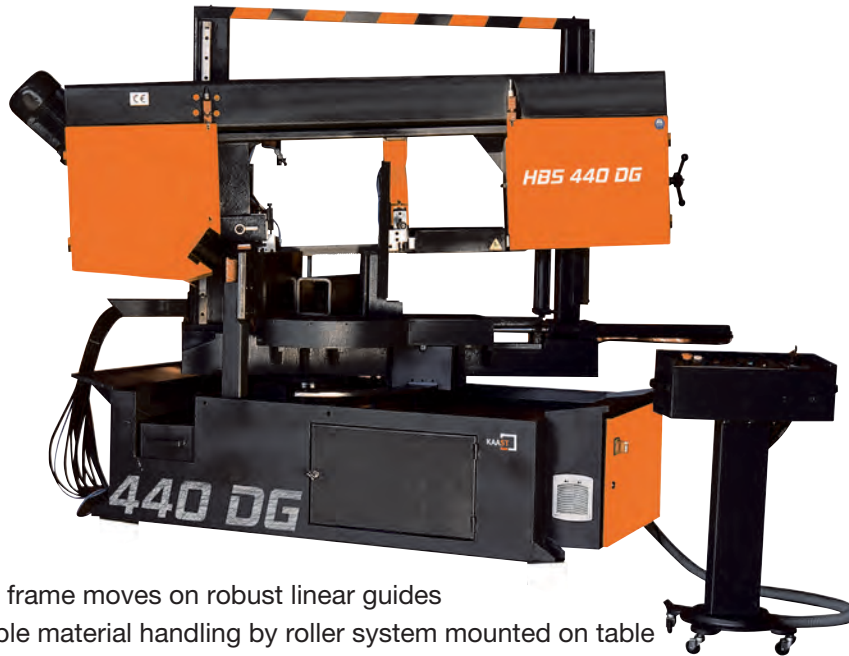




# Semi automatic mitering band saw

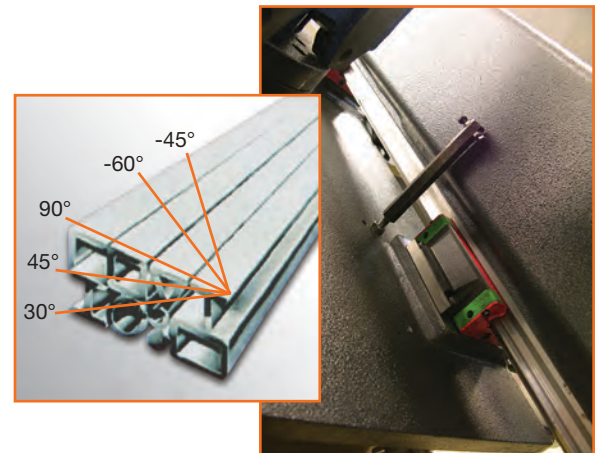
## HBS 360 DG • 440 DG

Dual column. Swivel head. 14" to 17"



- Saw frame moves on robust linear guides
- Simple material handling by roller system mounted on table
- Semi-automatic high-performance bandsaw with dual-columns

Specifications		HBS	
		360 DG 14"	440 DG 17"
Cutting capacity 90°	● mm	Ø360 (14")	Ø440 (17")
	■ mm	640x360 (25x14")	640x440 (25x17")
	■ mm	360 (14")	440 (17")
Cutting capacity -60°	● mm	Ø360 (14")	Ø440 (17")
	■ mm	510x360 (20x14")	510x440 (20x17")
	■ mm	360 (14")	440 (17")
Cutting capacity -45°	● mm	Ø360 (14")	Ø440 (17")
	■ mm	390x360 (15x14")	400x440 (16x17")
	■ mm	360 (14")	400 (16")
Cutting capacity -30°	● mm	Ø310 (12")	Ø250 (10")
	■ mm	250x360 (10x14")	250x440 (10x17")
	■ mm	270 (11")	250 (10")
Cutting capacity +60°	● mm	Ø360 (14")	Ø440 (17")
	■ mm	510x360 (20x14")	510x440 (20x17")
	■ mm	360 (14")	440 (17")
Cutting capacity +45°	● mm	Ø360 (14")	Ø440 (17")
	■ mm	390x360 (15x14")	390x440 (15x17")
	■ mm	360 (14")	390 (15")
Blade speed	m/min	20-100 (65-325'/min)	
Main drive motor	kW	3 (4 Hp)	4 (5 Hp)
Hydraulic system motor	kW	1.1 (1.5 Hp)	
Coolant motor	kW	0.12 (0.15 Hp)	
Saw blade dimensions	mm	5000x34x1.1 (197x1.25x0.04")	5200x41x1.3 (205x1.5x0.05")
Working height	mm	800 (31.5")	860 (34")
Dimensions (L/W/H)	mm	3100x1350x1910 (122x53x75")	3100x1200x2125 (122x47x84")
Weight	kg	1630 (3,580 lbs)	1740 (3,830 lbs)
Item No.		<b>8532060</b>	<b>8532061</b>



### Standard configuration

- Hydraulic blade tension
- Coolant system
- Hydraulic vise
- Infinitely variable band speed, 20-100 m/min (65-325'/min)
- Digital display of mitre cutting angle
- Adjustable cutting pressure regulation
- Movable control panel
- Operation manual

### Optional configuration

- Hydraulic top clamping
- Chip conveyor
- Minimal quantity coolant system
- Feed roller conveyor, 3000 mm (118")
- Motor driven roller conveyor, 3000 mm (118")
- Bimetallic bandsaw blade (different tooth pitches)

\*The above specifications are subject to change without prior notice. No liability for printing mistakes. Machine may be shown with optional equipment.