

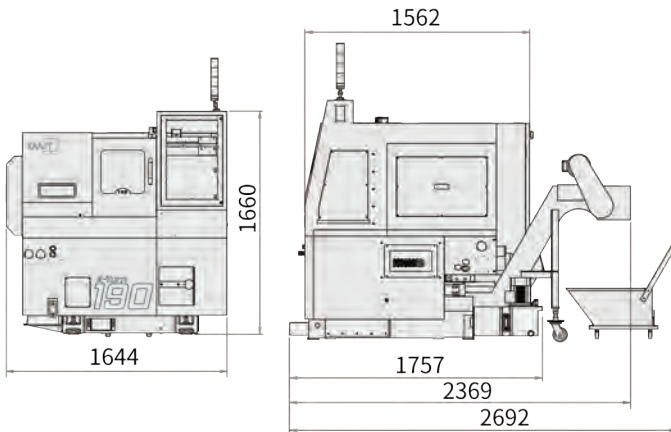


CNC compact slant bed lathe A-Turn CNC 190 • 190 M 15x6"



A-Turn 190 M

- A high performance compact CNC lathe
- Available with live tooling
- Slant bed with box ways



Standard configuration:

- FANUC Oi-T controller
- RJ-45 interface
- Heat exchanger for electric cabinet
- 10.4" Colored LCD monitor
- Lubrication system
- 4-bar coolant system
- Three-color warning light
- Rigid tapping

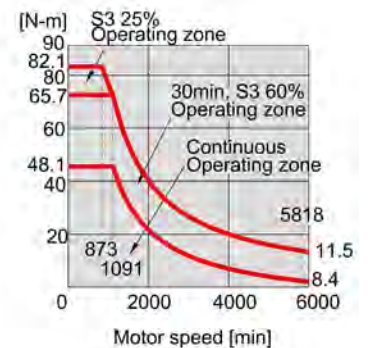
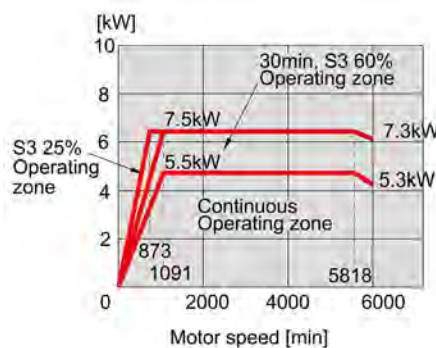
Accurate lead pitch ballscrew

Pre-tensioned, precise ballscrew with special cooling networks eliminate backlash and thermal elongation. Direct-drive motor not only reduces energy loss during transmission, but also increases axial positioning accuracy.

High-precision headstock

Specially designed ribbed headstock eliminates thermal distortion. It is precisely bored and ground to ensure excellent concentricity.

Spindle Motor Torque Power



*The above specifications are subject to change without prior notice. No liability for printing mistakes. Machine may be shown with optional equipment.

