



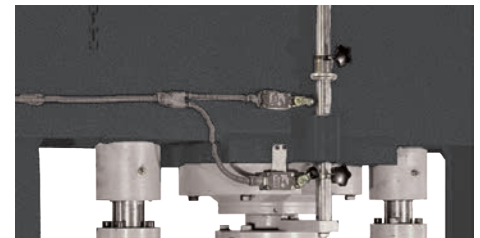
Hydraulic four-column press HPH-M



- Stable, rigid welded steel construction
- Machine table and four-way guided ram plate with T-slots and mounting holes for fastening and adjusting the tools and work pieces
- Infinitely adjustable pressure regulation
- Fast stroke adjustment by limit switch
- Piece counter

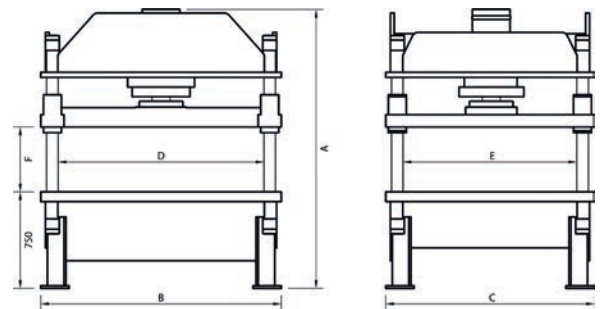
Optional configuration

- Two-hand operation
- Siemens NC control
- Safety photocells
- Hydraulic ejector
- Parts counter
- Oil/air cooling



Stroke adjustment by limit switch

Model	Unit	HPH-M 40	HPH-M 70	HPH-M 100	HPH-M 150	HPH-M 200
A	mm	2300 (91")	2350 (93")	2400 (95")	2500 (99")	2700 (107")
B	mm	1140 (45")	1140 (45")	1260 (50")	1520 (60")	1550 (61")
C	mm	940 (37")	940 (37")	1060 (42")	1270 (50")	1300 (52")
D	mm	900 (35.4")	900 (35.4")	1000 (39.4")	1250 (49.2")	1250 (49.2")
E	mm	700 (27.5")	700 (27.5")	800 (31.5")	1000 (39.4")	1000 (39.4")
F	mm	600 (23.6")				



Specifications		HPH-M 40	HPH-M 70	HPH-M 100	HPH-M 150	HPH-M 200
		44 tons	77 tons	110 tons	165 tons	220 tons
Tonnage	t	40 (44 t)	70 (77 t)	100 (110 t)	150 (165 t)	200 (220 t)
Table dimensions	mm	900x700 (35.4x27.5")	900x700 (39.4x27.5")	1000x800 (39.4x31.5")	1250x1000 (49.2x39.4")	1250x1000 (49.2x39.4")
Cylinder stroke	mm	500 (19.7")				
Distance ram-to-table	mm	600 (23.6")				
Table height	mm	750 (29.5")				
Working stroke	mm/s	9 (0.35"/s)	6 (0.24"/s)	5 (0.2"/s)	4 (0.15"/s)	3.5 (0.14"/s)
Rapid stroke	mm/s	30 (1.2"/s)	25 (1"/s)	26 (1"/s)	23 (0.9"/s)	25 (1"/s)
Main drive motor	kW	4 (5 Hp)	4 (5 Hp)	4 (5 Hp)	5.5 (7.5 Hp)	7.5 (10 Hp)
Dimensions (L/W)	mm	1140x940 (45x37")	1140x940 (45x37")	1260x1060 (50x42")	1520x1270 (60x50")	1550x1300 (61x52")
Height	mm	2300 (91")	2350 (93")	2400 (95")	2500 (99")	2700 (107")
Item No.		9002035	9002036	9002037	9002038	9002039

*The above specifications are subject to change without prior notice. No liability for printing mistakes. Machine may be shown with optional equipment.