



CNC vertical lathe

V-Turn Pro CNC • V-Turn Pro plus CNC

For high-speed turning of large work pieces



Standard configuration

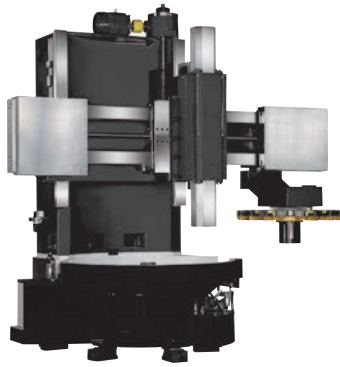
- ✓ Fanuc Oi-TD CNC controller
- ✓ Faceplate with 4 jaws (manual clamping)
- ✓ 12-position turret (V-Turn Pro)
- ✓ 18-position turret (V-Turn Pro plus)
- ✓ Telescopic covers
- ✓ Toolholder
- ✓ Chip conveyor
- ✓ Z-axis boom cooling
- ✓ Automatic lubrication
- ✓ Heat exchanger for electric cabinet
- ✓ Work light
- ✓ Three-color warning light
- ✓ Tool kit
- ✓ Leveling pads and bolts
- ✓ Operation manual

Turning diameters of up to 3000 mm (118") and beyond, with a maximum work piece weight of up to 21000 kg (46,000 lbs). The V-Turn Pro Series impresses with excellent heavy duty results. The optional driven milling tools with integrated C-axis and automatic tool changer offer the possibility of complex complete machining in one setup.



Specifications	V-turn Pro • V-Turn Pro plus				
		1600 CNC 5' swing	2000 CNC 6' swing	2500 CNC 8' swing	3000 CNC 9' swing
Table diameter	mm	1250 (49")	1600 (63")	2000 (79")	2500 (98")
Max. swing diameter	mm	1600 (63")	2000 (79")	2500 (98")	3000 (118")
Max. turning diameter	mm	1500 (59")	1900 (75")	2400 (94")	3000 (118")
Max. turning height	mm	1250 (49")	1600 (63")		1600 (63")
Max. workpiece weight	kg	9000 (19,800 lbs)	14000 (30,800 lbs)	21000 (46,200 lbs)	15000 (33,000 lbs)
Max. torque of table	Nm	13160 (9,700 ftlb)	22910 (16,900 ftlb)	28310 (20,800 ftlb)	41220 (30,400 ftlb)
Max. cutting force	N	25000			32000
X-axis stroke	mm	-200-1700 (-8-67")	-250-2300 (-9.8-91")	-250-2700 (-9.8-106")	-300-1650 (-12-65")
Z-axis stroke	mm	900 (35")	1000 [opt. 1200] (39.4" [opt. 47"])		1200 (47")
Ram size	mm	230x240 (9x9.5")	240x270 (9.5x10.6")		250x250 (10x10")
Rapid traverse – X axis	m/min	12 (472"/min)			10 (394"/min)
Rapid traverse – Z axis	m/min	10 (394"/min)			10 (394"/min)
Table speeds (2 steps)	rpm	2-110, 2-350	1-60, 2-250	1-50, 2-200	3-55, 5-160
Crossrail stroke	mm	800 (31.5")			1000 (39.4")
Tool shank size	mm	32x32 (1.26x1.26")			40x40 (1.6x1.6")
Main spindle motor	kW	AC 37/30 (50/40 Hp)	AC 37/45 (50/60 Hp)		AC 45/55 (60/73 Hp)
X/Z axis servo motor	kW	6 (8 Hp)			7 (9 Hp)
Dimensions (L/W/H)	mm	4765x2785x5210 (188x110x205")	5190x3460x5875 (204x136x231")	5605x3980x5875 (220x157x231")	7900x6100x6300 (311x240x248")
Weight	kg	20000 (44,000 lbs)	28000 (61,600 lbs)	32000 (70,400 lbs)	51000 (112,200 lbs)

*The above specifications are subject to change without prior notice. No liability for printing mistakes. Machine may be shown with optional equipment.



Patented octagon tool bar design

The unique structure guarantees the highest precision and controlled thermal expansion. The special octagonal structure provides superior mechanical properties and thus exhibits higher stiffness than conventional, square tool carriers.

Worktable & actuator

Hydraulic support using heavy-duty taper roller bearings. The machine table is embedded in a solid base casting, which ensures an enormous table load capacity as compared to competitive models. The 2-stage transmission is suited to every machining situation with extremely high torque and is therefore designed for heavy machining, even with tough materials.

Optional C-axis with driven tools

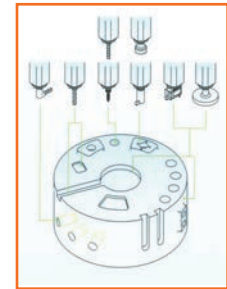
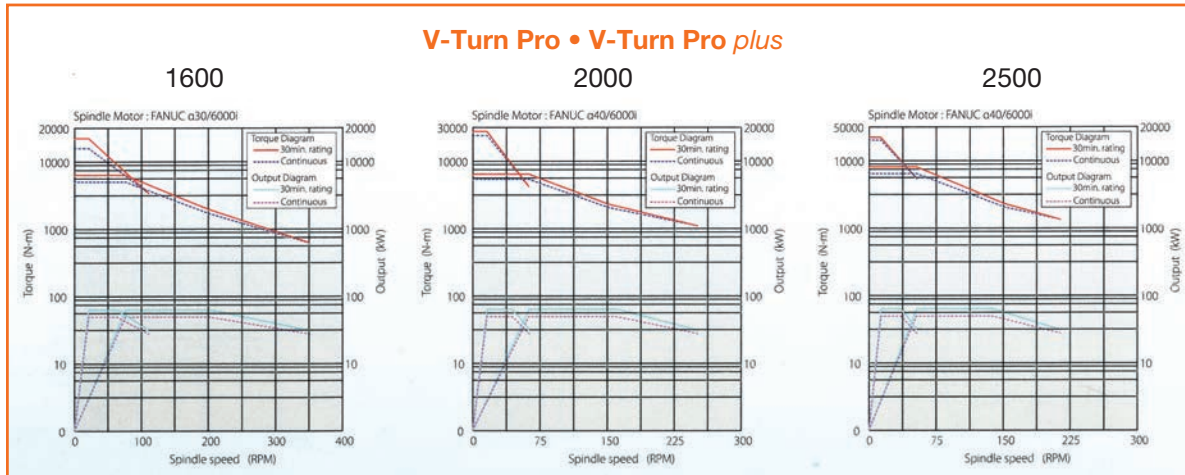
The optional rotary tools for the V-Turn Pro Plus series provide a wide range of machining applications within the turning and drilling/milling segment which can be realized with a single setup. This means optimizing the processing times and gives an added competitive value. Latest technologies from reputable manufacturers ensure high machine availability and excellent machining results for many years.



Optional configuration

- Siemens or Mitsubishi CNC control
- Air cooler for electric cabinet
- Oil separator
- Glass linear scales for X/Z-axes
- 3-jaw hydraulic chuck
- 4-jaw hydraulic chuck
- C-axis with live tools
- Coolant through spindle
- Tool measurement
- Work piece measurement
- Toolholders (various)

V-Turn Pro • V-Turn Pro plus



C-axis with live tooling

Specifications			V-turn Pro • V-Turn Pro plus			
			1600 CNC 5' swing	2000 CNC 6' swing	2500 CNC 8' swing	3000 CNC 9' swing
V-Turn Pro series	ATC magazine capacity	pc.	12		12	
	Max. tool length	mm	450 (17.7") (turning)			
V-Turn Pro plus series	Max. weight of tool holder	kg	50 (110)			
	ATC magazine capacity	pc.	18 (turning: 9, driven: 9)		16 (turning: 8, driven: 8)	
	Max. tool length	mm	turning and driven 450 (17.7")			
	Max. drill diameter	mm	50 (2") (C45-steel)			
	Max. tap diameter	mm	M30 (C45-steel)			
	Max. torque for drilling	Nm	196 (145 ftlb)			
	Live spindle speed	rpm	2-2400	50-2250		
	C-axis feed rate	°/min	0-800			
	Live spindle motor	kW	11/7.5 (15/10 Hp)			
C-axis servo motor	kW	3 (4 Hp)				
Tool taper		BT50				
Item No. (V-Turn Pro series)			1530020	1530021	1530027	1530025
Item No. (V-Turn Pro plus series)			1530023	1530024	1530028	1530026

*The above specifications are subject to change without prior notice. No liability for printing mistakes. Machine may be shown with optional equipment.