



CNC Cylindrical grinder CRG CNC

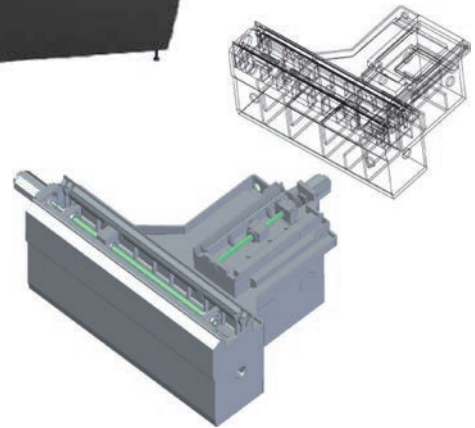
For grinding in the sub-micron range. 7x16" to 16x39"



Standard configuration

- ✓ Fanuc CNC control (2 axes)
- ✓ Grinding wheel flange (Balanced and mounted)
- ✓ Glass linear scales for X-axis
- ✓ Diamond dresser
- ✓ Separate hydraulic unit with oil/air cooling
- ✓ Coolant system
- ✓ Work light
- ✓ Fixed centering tips (2 pcs)
- ✓ Tool kit
- ✓ Operation manual

- Advanced machine concept, innovative design and cutting-edge components from reputable manufacturers are key elements which characterize these CNC cylindrical grinding machines.
- Exceptional accuracy
- Standard grinding cycles include dressing of the wheel, as well as grinding cycles of concave and convex surfaces
- Specially designed fine feeds allow grinding results with mirrored surfaces, to an accuracy of 0.1 micron



Specifications		CRG CNC 1040 7" x 16"	CRG CNC 1660 12" x 24"	CRG CNC 16100 12" x 39"	CRG CNC 2160 16" x 24"	CRG CNC 21100 16" x 39"
Center height	mm	100 (3.9")	160 (6")		210 (8")	
Distance between centers	mm	400 (16")	600 (24")	1000 (39")	600 (24")	1000 (39")
Grinding capacity	mm	180 (7")	300 (12")		400 (16")	
Max. workpiece weight	kg	60 (132 lbs)	150 (330 lbs)		150 (330 lbs)	
Grinding wheel dimensions	mm	Ø355x38xØ127 (14x1.5x5")		Ø405x50x127 (16x2x5")		Ø405x50xØ152 (16x2x6")
Grinding spindle speed	rpm	2085		1780		1780
Main spindle motor	kW	2.3 (3 Hp)		3.7 (5 Hp)		3.7 (5 Hp)
Spindle head speed	rpm	10-500		10-300		10-300
Spindle head motor	kW	0.75 (1 Hp)	0.8 (1 Hp)	1.3 (2 Hp)	0.8 (1 Hp)	1.3 (2 Hp)
Spindle stock taper		MT 3		MT 4	MT 4	
Swivel angle	deg	-30° - +90°		-30° - +90°		-30° - +90°
Swivel range table l/r	deg	-3° - +10°	-3° - +12°	0° - +12°	0° - +12°	0° - +10°
Tailstock quill taper		MT 3		MT 4	MT 4	
Smallest input increment	mm	0.001 (0.0001)		0.001 (0.0001")		0.001 (0.0001")
Weight	kg	2250 (4,950 lbs)	4250 (9,350 lbs)	5300 (11,660 lbs)	4450 (9,790 lbs)	5500 (12,100 lbs)
Item No.		3100040	3100041	3100042	3100043	3100044

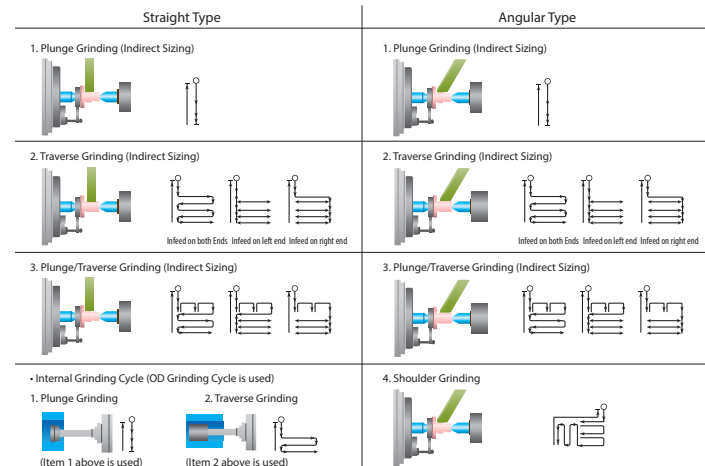
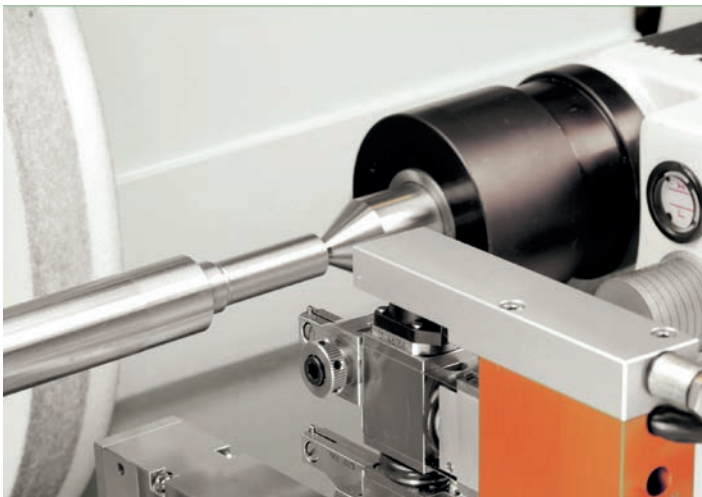
*The above specifications are subject to change without prior notice. No liability for printing mistakes. Machine may be shown with optional equipment.



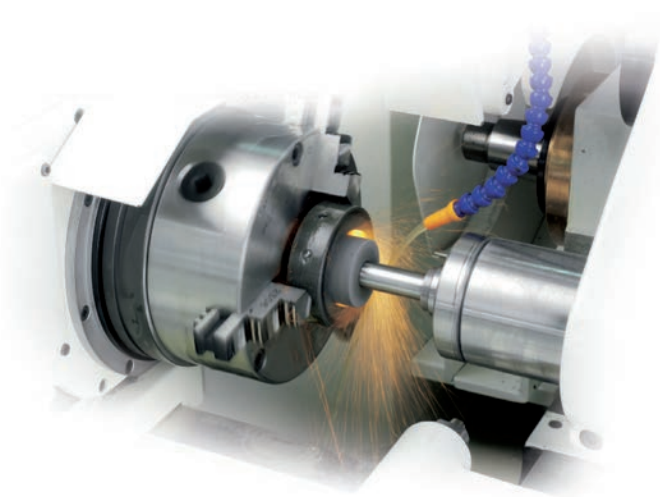
Optional configuration

- Internal grinding unit
- Coolant system with paper filter and magnetic separator
- Driving dog (various)
- 2-point steady rest
- 3-point steady rest
- Touch probe for axial positioning of work pieces
- Automatic grinding wheel balancing system
- Balancing stand and balancing shaft
- Automatic IN PROCESS work piece measurement
- Oil mist collector
- Hydraulic-driven tailstock
- Headstock with bore, Ø80mm
- Complete enclosure
- Glass linear scales for Z-axis
- Automatic loading and unloading

- A heavy Meehanite cast frame, heat treated and stress-relieved, provides a solid foundation for the CRG CNC cylindrical grinding machines
- All guideways are hardened and precision ground to ensure permanent accuracy and wear resistance. Another highlight of this series is the special table design, which uses a hydrostatic system



- for extremely smooth motion and precision
- The grinding spindle is made of high quality steel
- The grinding spindle uses a high-precision hydrostatic spindle bearing that excludes metal-to-metal contact and thus guarantees a true running accuracy of 0.5 microns
- A wide range of options for your special applications are available on request



*The above specifications are subject to change without prior notice. No liability for printing mistakes. Machine may be shown with optional equipment.